



MILWOOD
GROUP

Product Brochure

Verandas, Glass Rooms, Carports, Awnings,
Pergolas and Canopies for the trade



Contents

4-7 **The Simplicity 35**

Ideal for BIG SPAN CARPORTS, COMMERCIAL CANOPIES and WALKWAYS.

8-11 **The Simplicity 16**

Ideal for cost effective CARPORTS and GARDEN CANOPIES.

12-15 **The Simplicity 6**

Ideal for GARDEN VERANDAS and GARDEN CANOPIES.

16-21 **The Simplicity Alfresco**

Ideal for BIG SPAN VERANDAS, GLASS ROOMS and OUTDOOR DINING CANOPIES.

22-23 **Glass Rooms**

Glass Doors that compliment the Simplicity Alfresco Range and enables protection from the weather.

26-39 **The Milwood Awnings Range**


A range of RETRACTABLE AWNINGS for every type of environment.

40-49 **Bioclimatic Pergolas**

A range of PERGOLAS where you are able to enjoy shelter from the sun and rain.

50-55 **After Sales and Support**

Information on Milwood AFTER SALES and SUPPORT MATERIALS for usage with promoting your company.

ALL
ALUMINIUM
SYSTEMS 



HUNDREDS OF
SATISFIED
CUSTOMERS

UK 
DESIGNED &
MANUFACTURED

About us

Quality, cost effective systems distributed across the UK.

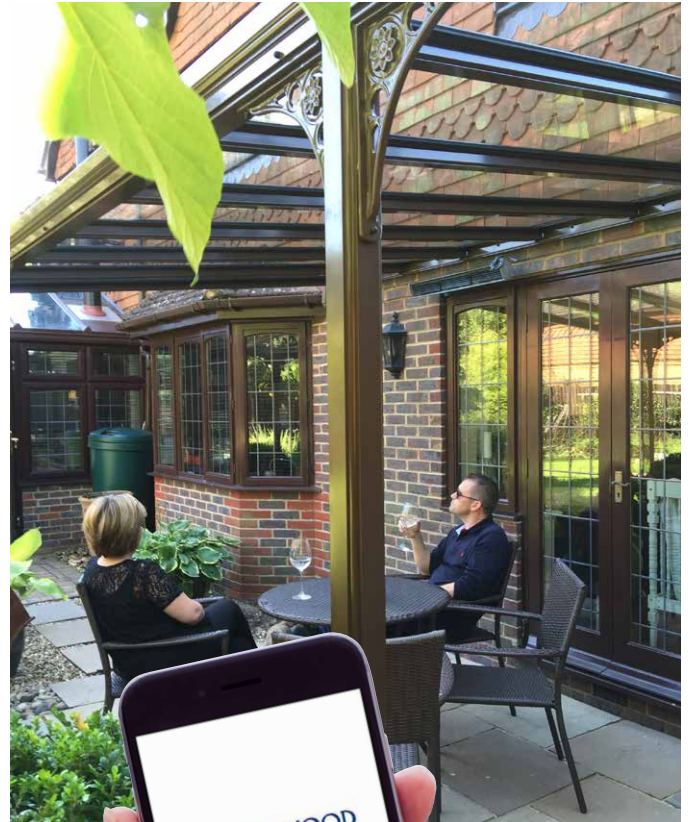
The Milwood Group manufacture and supply the highest quality canopy, carport and veranda systems to both large and small companies within the home improvement and the fenestration industry.

With over 25 years of experience within the industry we can provide you with specialist knowledge and competitively priced products suited to any of your clients' needs.

Our customers include manufacturers and installation companies who wish to provide their commercial or domestic customers with high quality, yet cost conscious shade and shelter products.

As part of our service we offer easy to follow installation guides, downloadable marketing material for your sales team and technical drawings for Architects and Designers to make specifying our products simple.

We have developed a brand new application which is available to download free from the app store.

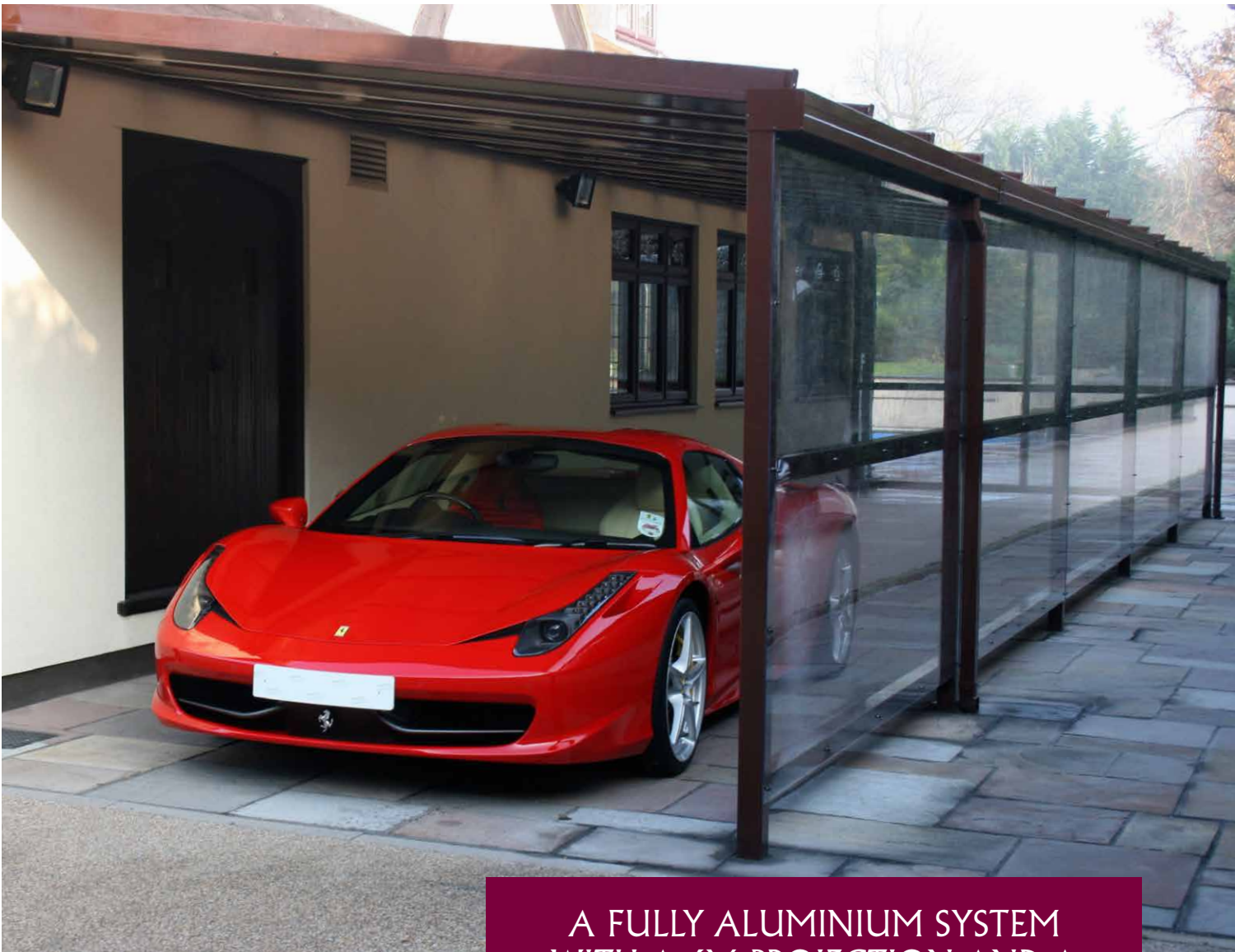


**INNOVATIVE
PRODUCT
RANGE**

MINIMUM OF
50%
GROSS PROFIT



**EASY
INSTALLATION**



A FULLY ALUMINIUM SYSTEM
WITH A 6M PROJECTION AND A
FULL 10 YEAR GUARANTEE



The Simplicity 35

Ideal for BIG SPAN CARPORTS, COMMERCIAL CANOPIES and WALKWAYS.

The Simplicity 35 is our most popular carport due to its durability, versatility, and unlimited length. It is **completely constructed from aluminium**, giving you a structure with unbeatable durability together with a life expectancy of up to 25 years. This robust system is also supplied with a full 10 year guarantee.

The Simplicity 35 can be manufactured to **any length** to meet specific requirements and can **span up to 6 metres**, enabling you to cover multiple cars easily with minimum posts. It has a modern, stylish appearance and benefits from robust integral aluminium guttering which creates an attractive finish to the structure whilst also ensuring a quick installation. Furthermore, this aluminium guttering requires minimal subsequent maintenance throughout the product's lifetime.

The Simplicity 35 system features 35mm structured polycarbonate roof panels, which are available in clear or opal and offers in excess of 98% UV protection which reduces the risk of your vehicle paintwork fading.

They can also keep the interior of your vehicles cool by creating shade and shelter, preventing unwanted heat on hot, sunny days.

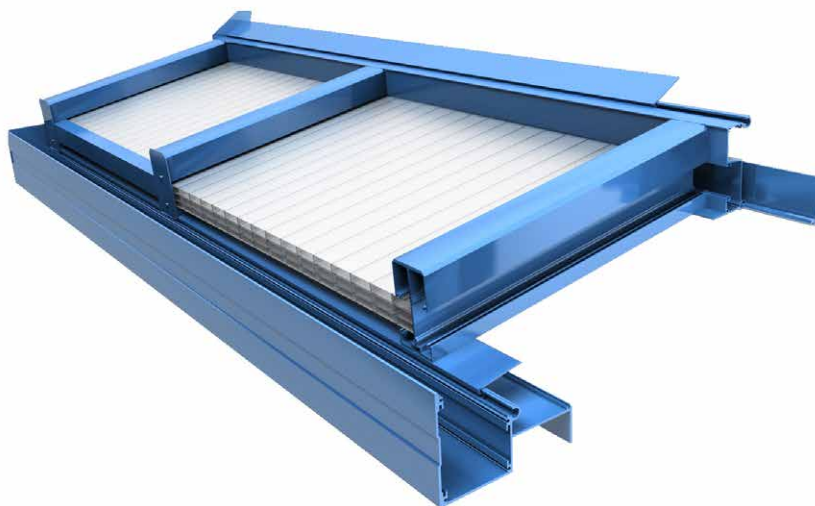
The Simplicity 35 has a **variable wall pitch from 2.5° - 45°** so that you can decide on the height of the wall-plate to suit your needs – ideal for taller vehicles such as campervans and caravans. The aluminium framework, which is supplied in white as standard, can be coloured to any RAL or BS colour to match your existing window and door frames or to create an attractive contrasting effect.



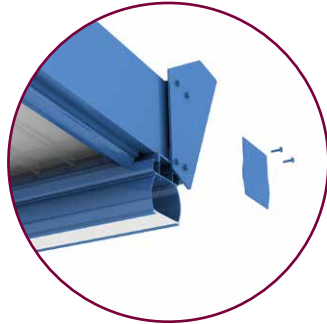
The Simplicity 35 is also the perfect veranda or canopy for commercial settings as well as private homes.

This contemporary yet robust system has passed the ACR(M) 001:2005 Test for Non-Fragility of Profiled Sheeted Roof Assemblies and is certified as a Non-Fragile system (providing the installation conforms to span and loading charts – please contact us for more information). This glazing system must be used in conjunction with the supplied polycarbonate to conform to wind and snow loadings for the UK.

The Simplicity 35 is available in any RAL or BS colour to meet specific requirements.



The Simplicity 35 has concealed wall fixings. Integrated LED Lighting System can be attached towards the front or back of the canopy.



Projection up to 6m

Posts Spacing

Projection:	Up to 4m	4.1m - 6m
Spacing:	3.5m	3m

Glazing Bars Spacing

Projection:	Up to 4.5m	4.5m - 5.3m	5.301 - 6m
Spacing:	1250mm	700mm	500mm

These are general calculations. Please refer to the SNOW & WIND Calculation table for each system to determine the requirements for each Canopy/Carport and Veranda sold.

Features & Benefits

- **Full 10 Year Guarantee** and a 25 year life expectancy
 - **Fully Aluminium System** – Including heavy duty structural aluminium roof bars for ultimate strength
 - **Stainless Steel Fixings** – All of the fixings are 316 marine grade stainless steel for longevity and total resistance to corrosion
 - **Integral Aluminium Guttering** – Saves time on installation and creates a robust and attractive gutter system
 - **35mm Structured Polycarbonate with block edge finish** – A block edge finish features a hard edge on both sides of the panel, which provides a much stronger roof system for improved snow loading capabilities
 - **Fire Performance** – Our polycarbonate panels benefit from excellent fire performance, meeting BS476 part 7 class 1, EN13501 and B-s1, d0
 - **Robust Roof System** – The roofing system is strong enough to be walked on as a means of escape and maintenance, with the use of boards
 - **High UV Protection** – A layer of UV absorber is coextruded on the outer surface of the roof panels which prevents damaging UV radiation from penetrating the sheet and protects those underneath from the sun. UV protection also prevents yellowing and loss of strength to the panel, giving it longer life
 - **Wide Range of Colour Options** – The Simplicity 35 can be coloured to any RAL or BS colour
 - **Variable Roof Pitch** – The roof has a variable pitch of between 2.5° – 45°
 - **Large Projection** – Projection of up to 6 metres to create large shaded areas if required
 - **Unlimited Length** – This structure can be constructed to any length to suit requirements
 - **Victorian Upgrade Available** – Transform the Simplicity 35 into a decorative structure with the Victorian Upgrade - see page 24
 - **Infrared Heaters Available** – Add Infrared Heaters to your veranda to create a warm and cosy area underneath when socialising or dining outside in your garden, please see page 25 for details
 - **Integrated LED Lighting Available** – Add lighting to your veranda to enable you to entertain when the sun goes down - see page 25.
- Information on the design load and maximum span limits is available on request.**

PROVIDE EFFECTIVE COVER FROM THE ELEMENTS WITH THE SIMPLICITY 35.

Ornate aluminium gallow brackets



AVAILABLE IN ANY RAL COLOUR



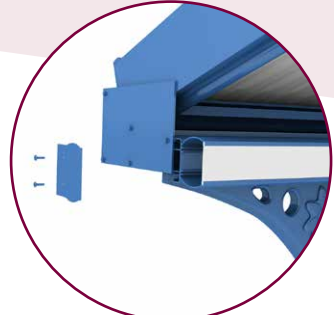


-  **COLOUR OPTIONS**
-  **STRONG & DURABLE**
-  **10 YEAR GUARANTEE**
-  **VARIABLE ROOF PITCH**
-  **UV PROTECTION**
-  **LARGE PROJECTION**
-  **VICTORIAN UPGRADE**
-  **LED LIGHTING AVAILABLE**

Aluminium integrated gutter

35mm shatter resistant, UV protected, 7 wall polycarbonate sheets

Complete Victorian Upgrade Including Gallows Brackets, Base Castings and Cast Collar



The Simplicity 35 has an Integrated LED Lighting System and aluminium trims to conceal the front canopy fixings and give a quality finish.

Options



Basic Canopy



Gallows included





A COST EFFECTIVE CARPORT SYSTEM THAT IS QUICK AND EASY TO INSTALL



The Simplicity 16

Ideal for cost effective CARPORTS and GARDEN CANOPIES.

It's simple; the Simplicity 16 has been developed with speed of installation, durability and cost in mind. Due to its clever design, the Simplicity 16 provides a durable and attractive shade and shelter solution at our most cost-effective price. It can project up to 3.5 metres and has a lightweight roofing system, making it perfect for use as a carport or veranda.

The stylish modern design gives a look that is second to none, enhancing your building's aesthetics. It also offers unbeatable structural performance, simply out performing all other carport and canopy systems pound for pound. This highly versatile canopy and carport system offers a variety of solutions for:

- Carports
- Verandas
- Smoking Shelters
- Walkway Canopies
- Covered Play Areas
- Porch Canopies
- Caravan Shelters

UNBEATABLE
STRUCTURAL
PERFORMANCE

The Benefits of using this system:

All-aluminium system: The Simplicity 16 is only manufactured from aluminium to offer exceptional longevity and easy maintenance. It also features hidden, integral guttering for a clean, modern appearance.

High speed installation: We have developed this system in partnership with one of the most prolific extrusion designers in the industry. Through his extensive expertise and using our knowledge gained from 25 years experience, we have created the simplest fixing system possible.

Impact resistance: Some of the systems on the market today use PVC or GRP which do not have the impact resistance of polycarbonate. We only use triple wall 16mm polycarbonate sheeting to ensure

that your investment lasts and has the impact resistance and the snow loading capabilities for wherever you are in the UK.

Variable Roof Pitch: Unlike the majority of roof kits, which only offer a fixed pitch, the Simplicity 16 offers a pitch range of 2.5 degrees to 22.5 degrees to give you that little bit extra.





Projection up to 3.5m

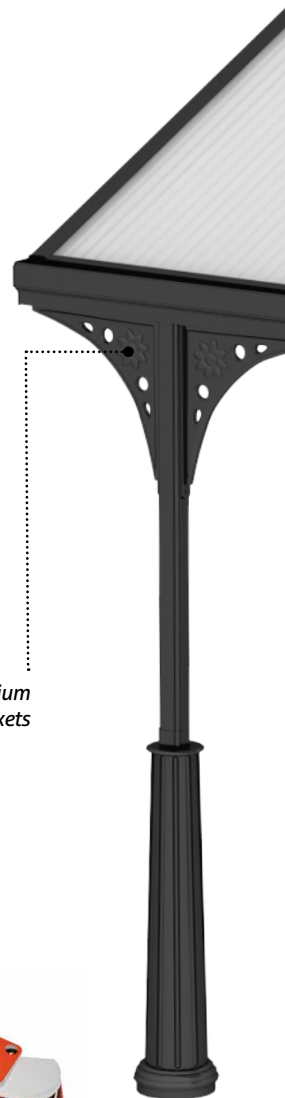
Posts Spacing	
Projection:	Up to 3.5m
Spacing:	3.0m
Glazing Bars Spacing	
Projection:	Up to 3m 3.001m - 3.5m
Spacing:	1m 700mm

These are general calculations. Please refer to the SNOW & WIND Calculation table for each system to determine the requirements for each Canopy/Carport and Veranda sold.

Features & Benefits

- **Standard Lengths** – 2.5m, 3m, 3.5m, 4m, 4.5m, 5m, 5.5m, 6m. Please Note: any of the listed lengths can be joined together to create a bespoke length
- **Available Projections** – 1.5m, 2m, 2.5m, 3m, 3.5m
- **Full 10 Year Guarantee** and a 25 year Life Expectancy
- **Simple fixing system with minimal parts** - For quick and easy installation
- **Low profile** – The Simplicity 16 can be fitted in areas where height is restricted
- **Stainless Steel Fixings** – All fixings are 316 marine grade stainless steel
- **Integral Aluminium Guttering** – Saves time on installation and is also stronger than an external gutter system.
- **16mm Structured Polycarbonate Panels** – Available in a clear or opal finish
- **High UV Protection** – A layer of UV absorber is coextruded onto our roofing panels to offer high UV protection
- **Wide Range of Colour Options** – The framework can be finished to any RAL or BS colour
- **Victorian Upgrade Available** – Enhance your structure with traditional style decorative post sleeves and gallows brackets - see page 24
- **Infrared Heaters Available** – Add Infrared Heaters to your veranda to create a warm and cosy area underneath, please see page 25 for details.

Information on the design load and maximum span limits is available on request.



Ornate aluminium gallows brackets



**AVAILABLE IN ANY
RAL COLOUR**

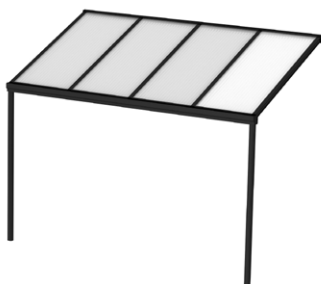




-  COLOUR OPTIONS
-  STRONG & DURABLE
-  10 YEAR GUARANTEE
-  LOW PROFILE
-  UV PROTECTION
-  VICTORIAN UPGRADE

Complete Victorian Upgrade, Including Gallows Brackets and Base Castings

Options



Basic Canopy



Gallows included





A REVOLUTIONARY AND ELEGANT
CANOPY SYSTEM THAT'S QUICK
AND EASY TO INSTALL



The Simplicity 6

Ideal for GARDEN VERANDAS and GARDEN CANOPIES.

The Simplicity 6 is a stylish veranda, canopy and carport system that is glazed with a choice of 6mm toughened glass or 6mm solid polycarbonate and includes integrated LED lighting.

With elegant posts and optional glass roofing, this product offers you a deluxe canopy or veranda at an affordable price. By featuring the option of glass roofing, the Simplicity 6 offers improved acoustic properties – reducing the noise of rain drops during a downpour; these glass panels also provide a sparkling finish which is easy to maintain, particularly if you choose the self-cleaning glass.

All framework is constructed from durable aluminium, with the option to powder coat the structure to any RAL colour or BS colour of your choice.

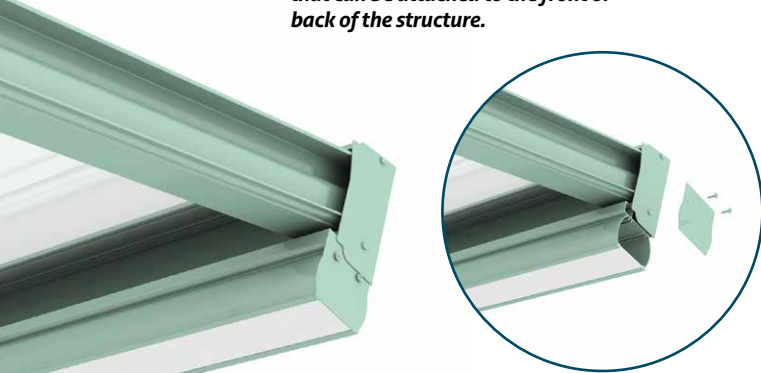
The Simplicity 6 is the perfect veranda solution for domestic gardens and provides effective and stylish cover from the weather for alfresco dining and garden parties.

With a span of up to 3.2m (3.1m for the glass option) from its supporting wall, and an unlimited length you will have a solution that can be adapted to suit your exact needs.

The Simplicity 6 comes with a full 10 year guarantee and a 25 year life expectancy, making this a real investment that you will be able to enjoy for many years to come.



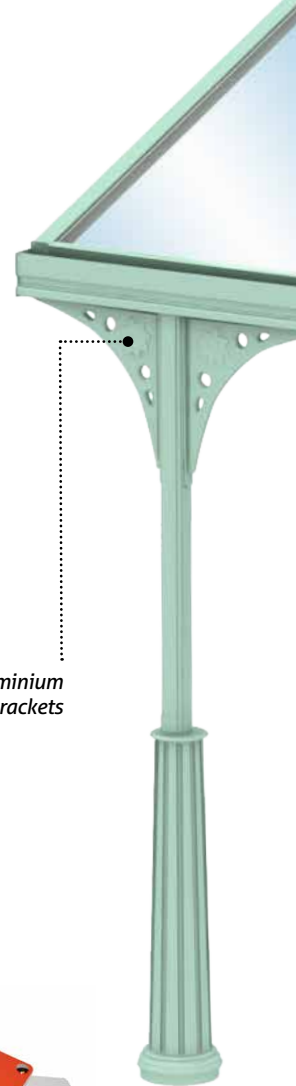
The Simplicity 6 has concealed bar fixings and integrated LED Lighting that can be attached to the front or back of the structure.



Projection up to 3.2m

Posts Spacing	
Projection:	Up to 3.2m
Spacing:	3.0m
Glazing Bars Spacing	
Projection:	Up to 3.2m
Spacing:	600mm
Pitch	
From 2.5 degrees to 22.5 degrees	

These are general calculations. Please refer to the SNOW & WIND Calculation table for each system to determine the requirements for each Canopy/Carport and Veranda sold.



Ornate aluminium gallow brackets

Features & Benefits

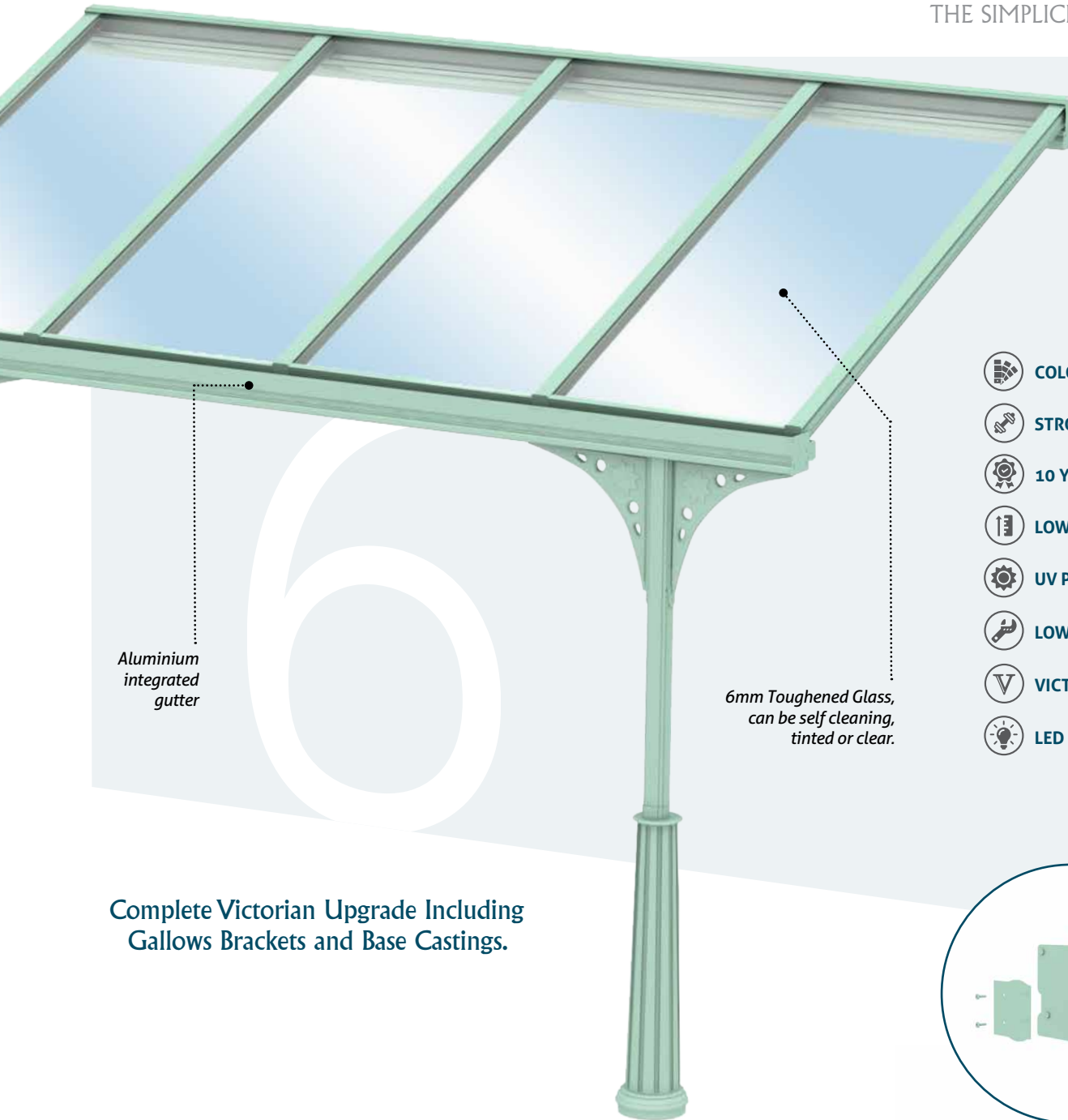
- **Full 10 Year Guarantee** – The Simplicity 6 is supplied with a full 10 year guarantee and a 25 year life expectancy for the canopy frame
- **Choice of Glass or Polycarbonate** – Choose to have the Simplicity 6 covered with either 6mm solid polycarbonate, 6mm toughened glass or 6mm toughened, self-cleaning glass
- **UV Activated Self-Cleaning Glass** – The 6mm self-cleaning toughened glass has a UV activated special coating that is applied during manufacture that breaks down organic dirt which is then washed away by the rain. Only a small amount of UV is needed to activate the special coating so that your canopy remains clean even on cloudy days
- **Toughened Glass** – Both glass options are toughened during manufacturing and achieve Class 1 BS EN 12600 for impact performance
- **Polycarbonate** – The 6mm solid polycarbonate is vandal and shatter resistant
- **Low Maintenance** – All roof options are low maintenance, particularly the self-cleaning glass, which means less cleaning is required, saving you time and money
- **High Light Transmittance** – All roof options offer high light transmittance
- **Available Projections** – Up to 3.2m with a polycarbonate roof and 3.1m with a glass roof
- **Simple Fixing System with Minimal Parts** – For a simple and speedy installation
- **Low Profile** – The Simplicity 6 can be fitted in height restricted areas
- **Integral Aluminium Guttering** – Creates a sleek, modern design which is stronger than external guttering systems and saves time on installation
- **Wide Range of Colour Options** – The aluminium frame can be finished to any BS or RAL colour
- **Victorian Upgrade Available** – Enhance your structure with traditional style decorative post sleeves and gallow brackets - see page 24
- **Infrared Heaters** - Add Wall Mounted Infrared Heaters to your veranda to create a warm and cosy atmosphere - see page 25
- **Integrated LED Lighting Available** – Add lighting to your veranda to enable you to entertain when the sun goes down - see page 25.

Information on the design load and maximum span limits is available on request.



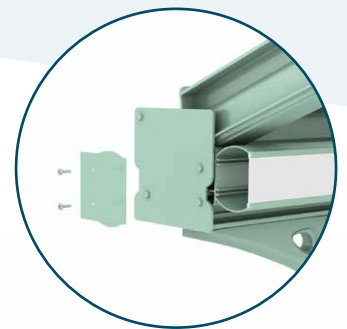
AVAILABLE IN ANY RAL COLOUR





-  COLOUR OPTIONS
-  STRONG & DURABLE
-  10 YEAR GUARANTEE
-  LOW PROFILE
-  UV PROTECTION
-  LOW MAINTENANCE
-  VICTORIAN UPGRADE
-  LED LIGHTING AVAILABLE

Complete Victorian Upgrade Including Gallows Brackets and Base Castings.



The Simplicity 6 has an Integrated LED Lighting System and aluminium trims to conceal the front canopy fixings and give a quality finish.

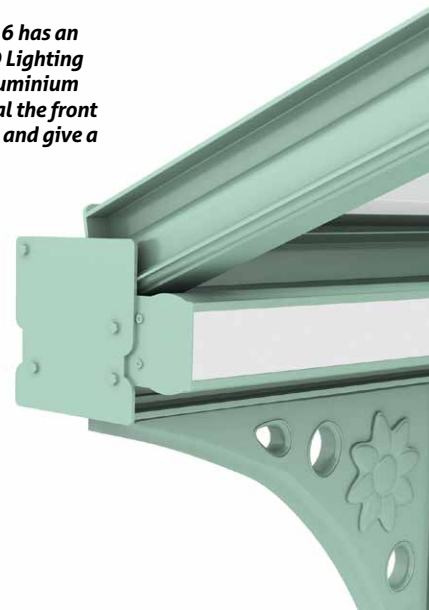
Options



Basic Canopy



Gallows included







The Simplicity Alfresco

Ideal for BIG SPAN VERANDAS, GLASS ROOMS and OUTDOOR DINING CANOPIES.

The Simplicity Alfresco is the latest addition to our veranda range and with its massive 6 metre span between posts, it means that your outside view is never compromised.

Complete with LED integrated lighting, heating, concealed fixings and made entirely from Aluminium The Simplicity Alfresco is the perfect solution for creating a unique and practical outdoor space for garden parties, barbecues and all kinds of family and social events all year round.





STUNNING DETAILS EASY-FIX
PROFILES AND A MASSIVE 6 METRE
SPAN BETWEEN POSTS



The Alfresco Glass

The Simplicity Alfresco is the latest addition to our veranda range and with its massive 6 metre span between posts it means that your outside view is never compromised.

We have worked closely with a leading designer in the glazing industry to create an innovative and truly stunning system that will enhance and add value to your home allowing you to be sheltered and comfortable in your garden whatever the weather.

The roof can be glazed with either 8mm toughened glass or 35mm polycarbonate sheet. Glass roofing offers improved acoustic properties reducing the noise of rain during a downpour as well as providing a sparkling finish which is easy to maintain.

Our innovative all aluminium system features easy-fix clip on profiles that give a stylish and modern look. They also mean that any cabling for additional

extras such as lighting, heating or even a sound system can be hidden from view with no unsightly trailing cables.

The Simplicity Alfresco is the perfect solution for creating a unique and practical outdoor space for garden parties, barbecues and all kinds of family and social events all year round.

With a span of 6 metres between posts and an unlimited length you will have a solution that can be adapted to suit your exact needs.

The Simplicity Alfresco comes with a 10 year guarantee and 25 year life expectancy, is available in any RAL or BS colour and with optional extras including lighting and heating it will be an investment that will enable you to enjoy your outdoor space to the full as well as adding value to your home.



AVAILABLE IN ANY
RAL COLOUR

The Simplicity Alfresco has concealed wall fixings. Integrated LED Lighting System can be attached towards the front or back of the canopy.



Projection up to 6m

Posts Spacing

Projection: Up to 6m
Spacing: 6.0m

Glazing Bars Spacing

Projection: Up to 6m
Spacing: 800mm

These are general calculations. Please refer to the SNOW & WIND Calculation table for each system to determine the requirements for each Canopy/Carport and Veranda sold.

Features & Benefits

- **Full 10 Year Guarantee** – The Simplicity Alfresco is supplied with a full 10 year guarantee and a 25 year life expectancy for the canopy frame
- **Choice of Glass or Polycarbonate** – Choose to have the Simplicity Alfresco covered with either 8mm toughened glass or 35mm polycarbonate
- **Toughened Glass** – the 8mm glass panels are toughened during manufacturing and achieve Class 1 BS EN 12600 for impact performance
- **Polycarbonate** – The 35mm solid polycarbonate is vandal and shatter resistant
- **Low Maintenance** – All roof options are low maintenance, particularly the glass, which means less cleaning is required, saving you time and money
- **High Light Transmittance** – All roof options offer high light transmittance
- **Available Projections** – a massive 6 metres
- **Integral Aluminium Guttering and Easy-Fix profiles** – Creates a sleek, modern design which is stronger than external guttering and also means all cabling is hidden from view
- **Wide Range of Colour Options** – The aluminium frame can be finished to any BS or RAL colour
- **Infrared Heaters** - Add Wall Mounted Infrared Heaters to your veranda to create a warm and cosy atmosphere - see page 25
- **Integrated LED Lighting Available** – Add lighting to your veranda to enable you to entertain when the sun goes down - see page 25.

The perfect partner for bifold doors - bifold or sliding glass doors can be easily added to create a completely enclosed outdoor room.

Information on the design load and maximum span limits is available on request.



AVAILABLE IN ANY RAL COLOUR

AVAILABLE AS A GLASS ROOM WITH THE GLASS ROOM UPGRADE. SEE PAGE 22 FOR MORE DETAILS





-  **COLOUR OPTIONS**
-  **STRONG & DURABLE**
-  **10 YEAR GUARANTEE**
-  **LOW MAINTENANCE**
-  **UV PROTECTION**
-  **LED LIGHTING AVAILABLE**

The Simplicity Alfresco has an Integrated LED Lighting System and aluminium trims to conceal the front canopy fixings and give a quality finish.



Glass Room Upgrade

Bring the outside into your house with the luxurious Simplicity Alfresco system, stay outside longer in all types of weather, enjoy your garden more and appreciate the fresh outdoor feel all year round.

Fully enclose our Alfresco glass veranda to give you that complete protection from the elements.

With our aluminium framing system and 8mm toughened, lockable and polished glass doors you can be assured of a system that will last for many years to come. Not only elegant but cost effective complete cover from the weather.

Creating a fully enclosed glass room means you will be able to enjoy natural light and that outdoor feel for the majority of the year in a comfortable and inviting environment. Adding heating and lighting will extend the use of your glass room throughout the winter months making the most of any sunshine, regardless of the outside temperature.



Closed



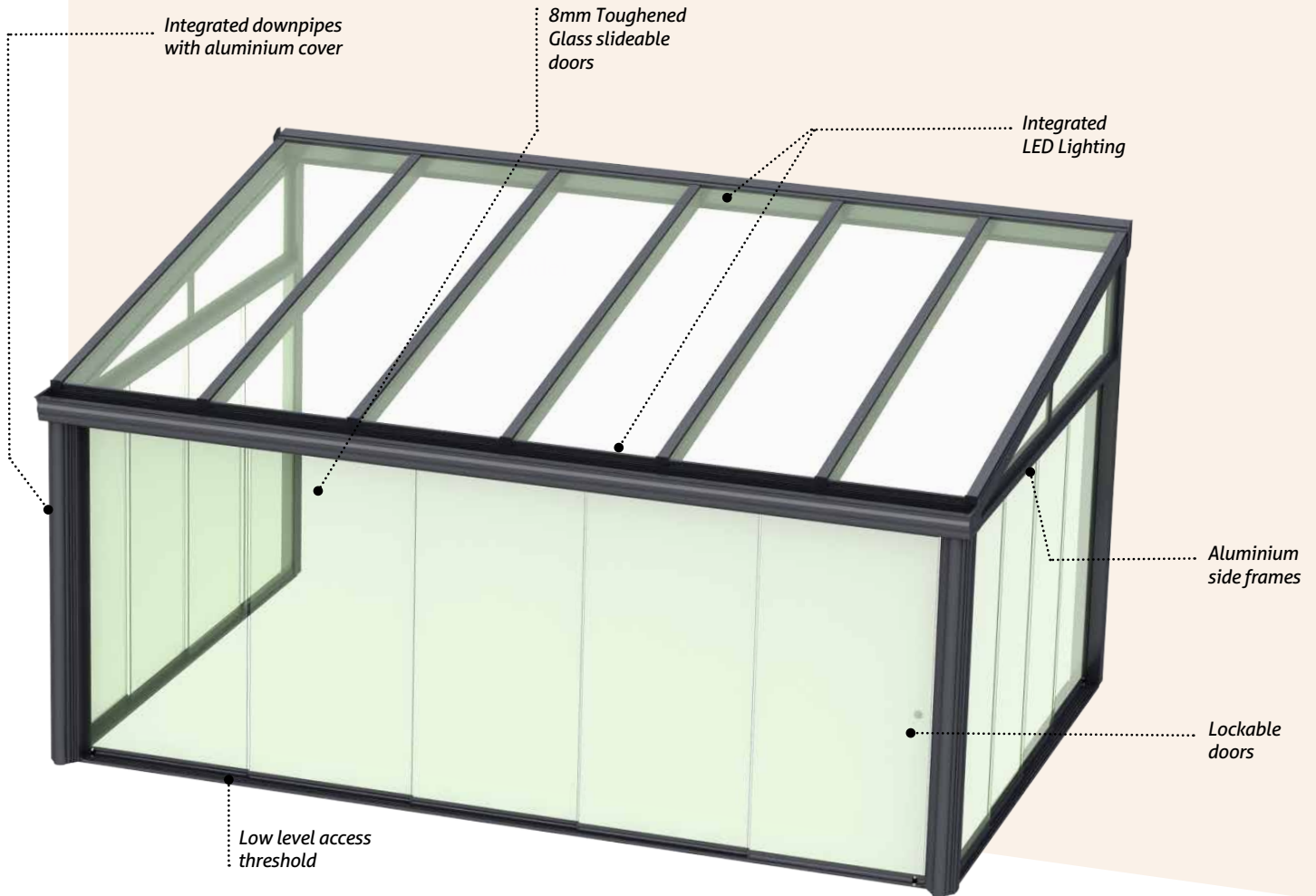
Sliding doors



Open

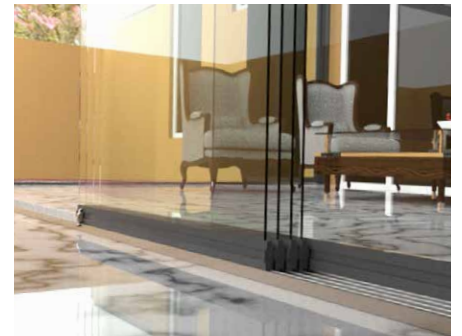


CREATE THAT PERFECT ALL WEATHER OUTDOOR AREA



Features & Benefits

- Robust aluminium construction
- 2 year guarantee
- Lockable for added security
- Toughened glass panels
- Sleek and stylish finish
- Infrared heating can be added
- Integrated LED lighting can be added.



Open sliding doors

Victorian Upgrade

The Simplicity carport and veranda systems are available with the Victorian Upgrade which enhances these structures with ornamental post sleeves and gallows brackets.

The Victorian Upgrade will transform your carport, canopy or veranda into an ornate and beautiful shade and shelter structure that will enhance the exterior of your building.

This elegant upgrade creates the ultimate high class finish and is ideal for period buildings and houses, enhancing the exterior and adding extra character and enabling the structure to fit in with

your home or building as if it was built at the same time. It can also offer a unique contrast for more modern style buildings too.

The Victorian upgrade is easy to install and can be coloured to any RAL or BS colour to match current aesthetics.

The Victorian Upgrade kit includes decorative gallows brackets and post sleeves that are made from aluminium to match the Simplicity carports and verandas and can be coloured to any RAL or BS colour.



The Simplicity 35

Features & Benefits

- Create a unique style statement with your canopy or carport
- Ideal for making your carport or canopy blend in with your house style, or for creating an attractive contrast
- Can be coloured to any RAL or BS colour code.



AVAILABLE ON THE
SIMPLICITY 16 AND 6

*Close up detail of Simplicity
6 and 16 base casting*

*Example of our ornate
Gallows Bracket*

Integrated Lighting Upgrade

This integrated 12v LED light system is designed specifically for the simplicity 6, 35 and Alfresco, it's designed to fit into the underside of the wall plate, the eaves beam and the glazing bar. If required. Made from aluminium and polycarbonate they are strong and designed to last!

LED Remote Control Unit



Infrared Outdoor Heaters

The infrared wall mounted heaters have ceramic elements that are designed to gently warm adults and children whilst outdoors under a covered structure such as a canopy using Far Infrared technology which is completely harmless and contains no ultraviolet radiation or fumes.

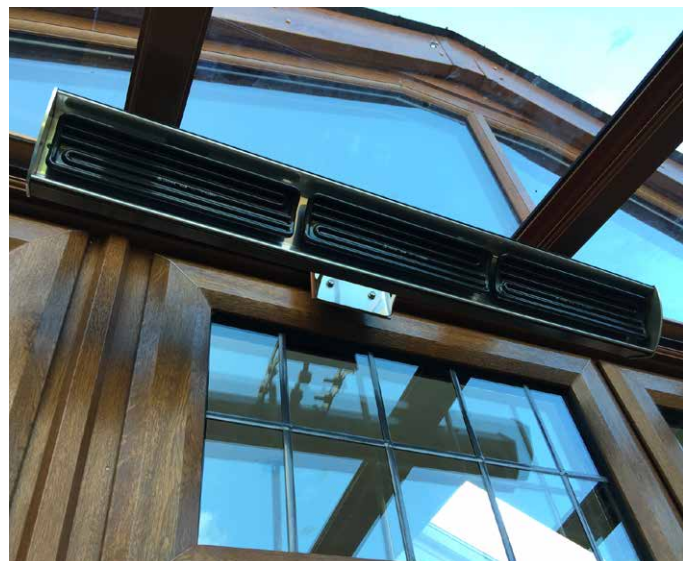
The heaters also do not emit any noise and provide a gentle heat similar to the feeling of the winter sun. Your customers can enjoy keeping warm outside without feeling too hot and without experiencing any unsightly glare.

The ceramic plates generate heat quickly and reach their full operating temperature within less than 10 minutes.

Each unit is supplied with a 5 year warranty and require no maintenance. They are CE certified and carries the UL safety recognition (file no. E214574) when installed by an approved electrician.

Size:

Available with 2 or 3 heated elements to create medium or large heated areas with a choice of different power outputs:





ENJOY PLEASANT SHADE
ON HOT SUMMER DAYS



The Milwood Awning Range

Our retractable awnings are designed to complement the other solutions we have.

The Milwood Group offer a range of high end retractable Awnings. These are designed to complement the other fixed glass and polycarbonate solutions we have. Using only the finest Somfy Motors and Dickson Fabrics, they are designed to last in the commercial and domestic markets.

The Palladio

The Palladio is a stylish awning which retracts into a compact cassette when not in use.

The neat design ensures the Palladio is unobtrusive but can be easily and quickly extended to create shade during sunny weather or offer shelter from wind and rain.

The Australia

The Australia awning fits seamlessly into any setting, creating shade and shelter in even the most adverse weather. It can also be configured with an added feature of being able to adjust the inclination of the awning, which is useful depending on the angle of the sun at different times of the day.

The Pergolino

The Pergolino provides protection from bright sunshine as well as light rain and is the ideal solution for restaurants, bars and cafes as well as domestic properties

The Screener Veranda

A solid and elegant awning that is designed to be installed on to a veranda or other large vertical or horizontal glazed area.

Window Awning

Window awnings are an ideal solution for detached houses, restaurants, cafés and small shops. It protects against penetration of sunlight. Moreover, it decorates a building and is easy to use with its perfect functioning system provided by high quality manual or electric drive.





CHIC AND ELEGANT



Palladio

The Palladio is a stylish awning which retracts into a compact cassette when not in use. The neat design ensures the Palladio is unobtrusive but can be easily and quickly extended to create shade during sunny weather or offer shelter from wind and rain.

Precision

High quality design ensures smooth and reliable operation of the flyer chain within the arm. We also ensure the fabric is stretched evenly by using special tensioning mechanisms.

Wide range of colours

Choose from our extensive range of colours. Standard colours can be found on page 34 and for additional colours please visit our website.

Automatic options

Choose the automation that suits your requirements with our intelligent solar or wind sensor options.

Fabric protection

Our unique design means our awnings are tightly rolled and completely protected inside the cassette.

Thermal glueing of fabrics

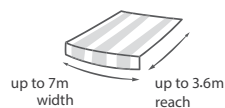
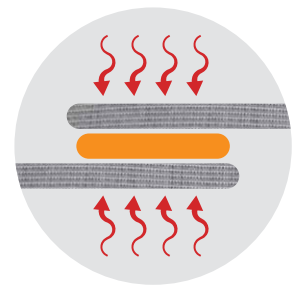
The fabric is bonded together with a modern hot glue technique using only the highest quality PUR-based reactive glue.

Vario Volant

Vario Volant is an unrolling ruffle, which is discreetly concealed in the front section of the awning. It provides protection against the low sunset and guarantees privacy and comfort. It can be used both with the Palladio and Australia awnings.

somfy

Quality Somfy Motors



Semi-round bar

Each Palladio awning comes with a 2 year guarantee, 5 years warranty on fabric and 5 years on Somfy motors (all subject to terms and conditions).



THE ART OF SIMPLICITY



Australia

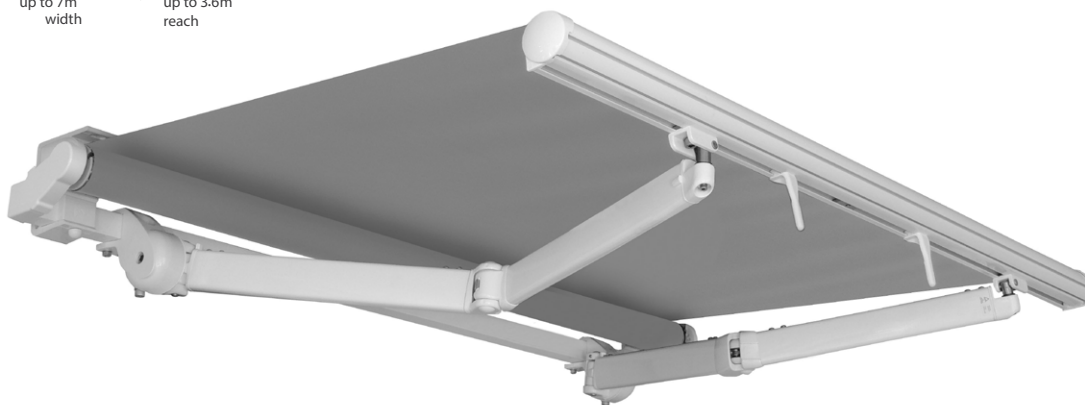
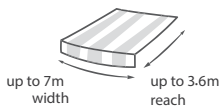
The Australia awning fits seamlessly into any setting, creating shade and shelter in even the most adverse weather. It can also be configured with an added feature of being able to adjust the inclination of the awning, which is useful depending on the angle of the sun at different times of the day. The Australia is a popular choice for all environments due to its elegantly simple design and robust construction.

Precision

By creating a shaded and sheltered outdoor area you can protect your expensive garden furniture which can quickly deteriorate if left to the elements.

Control options

Choose the best automatic control options to suit your needs. Optional sunlight and wind sensors as well as the ability to manually alter the inclination of the awning.



Wide range of colours

You can choose from a vast range of colours depending on whether you want the awning to blend in, or contrast with the existing architecture and surroundings. Standard colours can be found on page 34 and for additional colours please visit our website.

R-Pitch

R-Pitch is an additional option for the Australia awning which enables the inclination of the awning to be manually adjusted with the use of a crank.

Thermal glueing of fabrics

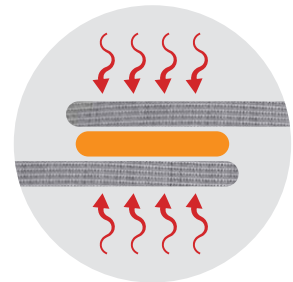
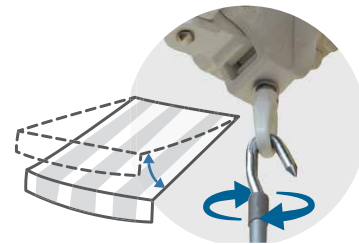
The fabric is bonded together with a modern hot glue technique using only the highest quality PUR-based reactive glue.

Vario Volant

Vario Volant is an unrolling ruffle, which is discreetly concealed in a front section of the awning. It provides protection against the low sunset and guarantees privacy and comfort. It can be used both with the Palladio and Australia awnings.

somfy

Quality Somfy Motors



Each Australia awning comes with a 2 year guarantee, 5 years warranty on fabric and 5 years on Somfy motors (all subject to terms and conditions).



A MASTER OF FUNCTIONALITY



Pergolino

The Pergolino provides protection from bright sunshine as well as light rain and is the ideal solution for restaurants, bars and cafes as well as domestic properties.

Stability

Due to its high quality and robust construction using the best components, the Pergolino is a very stable structure.

Comfort and protection

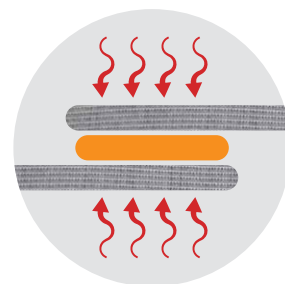
Summer rain will never again surprise the guests of your restaurant or family at a weekend barbecue. You may enjoy additional space around your home, protected from sun, wind and rain.

Wide range of colours

Choose from our extensive range of colours. Standard colours can be found on page 34 and for additional colours please visit our website.

Thermal glueing of fabrics

The fabric is bonded together with a modern hot glue technique using only the highest quality PUR-based reactive glue.



Each Pergolino awning comes with a 2 year guarantee, 5 years warranty on fabric and 5 years on Somfy motors (all subject to terms and conditions).

Standard Fabric Colours




For the Palladio, Australia & Pergolino Awnings

Dickson Colour Range:

Composition:	Acrylic 100%, solution dyed
Finishing:	Cleangard special dirt-resistant and awning water repellent treatment
Weight: 290g/m2 Width:	120cm
Tensile Strength:	140 daN Wrap / 90 daN Weft
Tear Strength:	4 daN Wrap / 2.3 daN Weft
Water Repellency:	>370mm
Colour Fastness Weather Condition:	4-5 / 5

								
ECRU ORC-0001	NATUREL ORC-7133	GREGE ORC-6020	GRIS ORC-6088	PIERRE ORC-6196	PERLE ORC-7972	FORET ORC-6687	ROUGE ORC-3914	BORDEAUX ORC-8206
								
JAUNE ORC-6316	DUNE ORC-0681	SOURIS ORC-8396	FLANELLE ORC-U104	ARDOISE ORC-8203	NOIR ORC-6028	CARBONE ORC-U171	CHARCOAL TWEED ORC-7330	

Standard Construction Colours

		
RAL 9010	RAL 9006	RAL 7016



Window Awnings



ENJOY PLEASANT SHADE ON HOT SUMMER DAYS

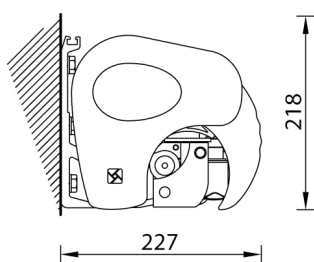
The stylish and simplistic window awning has been designed to create shade and shelter to your customer's homes. It is made completely from aluminium and high quality Dickson fabric. The customer is given the choice of manual or electronic operation at the time of ordering to suit their needs.

The precise design ensures the window awning is unobtrusive, and can be easily and quickly installed to create instant shade. It is the perfect window shade solution for detached houses, restaurants, cafés and small shops.

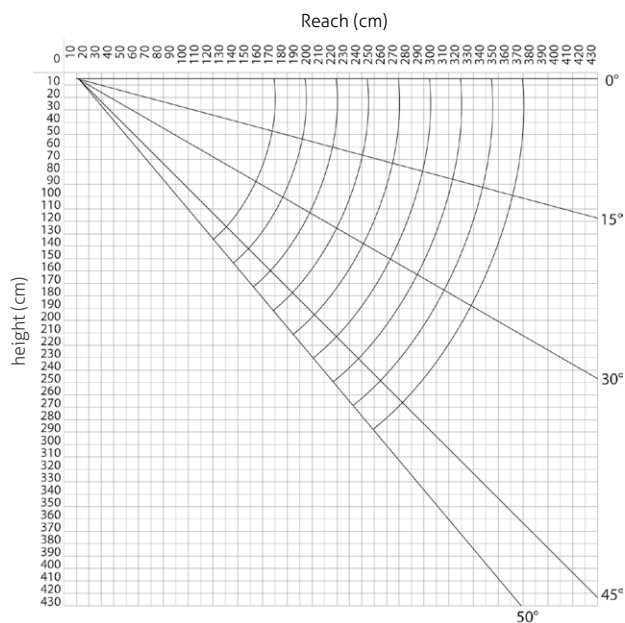
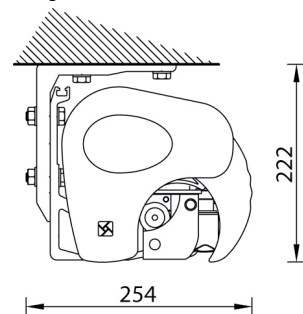
Installation Options

Palladio

Wall installation with semi-round bar

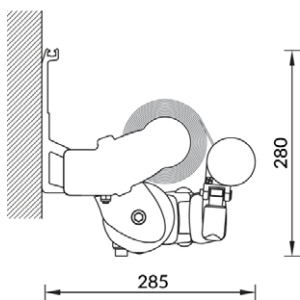


Ceiling installation with semi-round bar

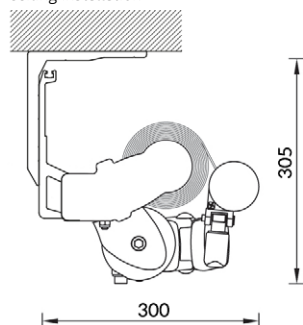


Australia

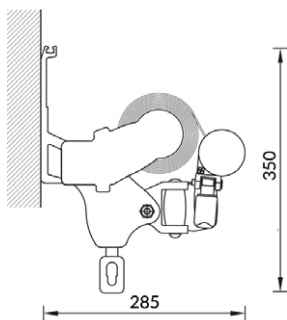
Wall installation



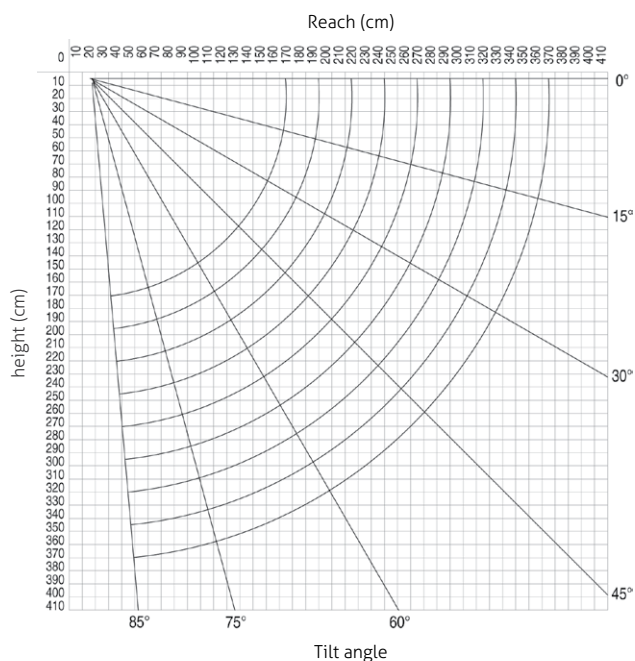
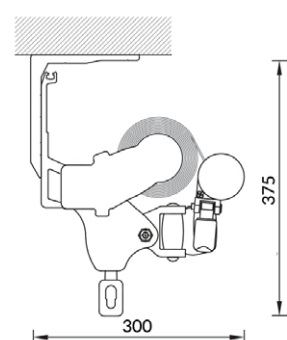
Ceiling installation



Wall installation (r-pitch)



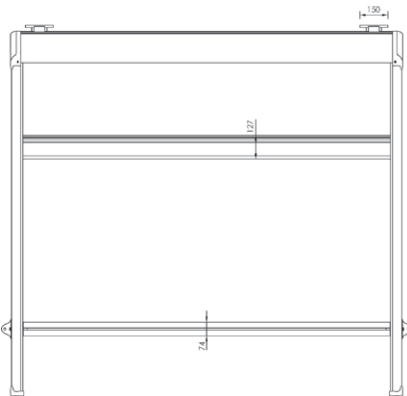
Ceiling installation (r-pitch)



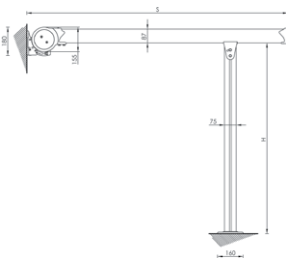
Technical Views

Pergolino Single

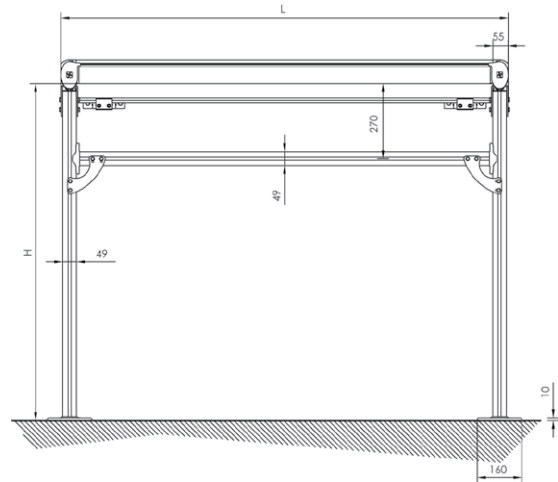
Single module - top view



Side view



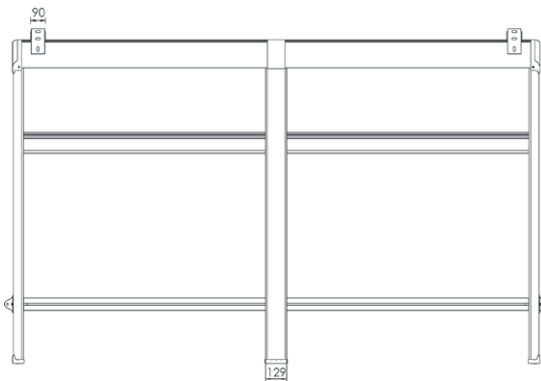
Single module - front view



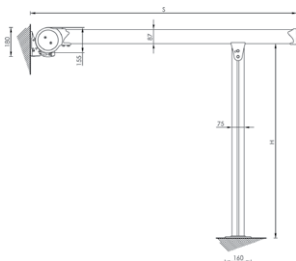
Additional modules can be connected.

Pergolino Dual

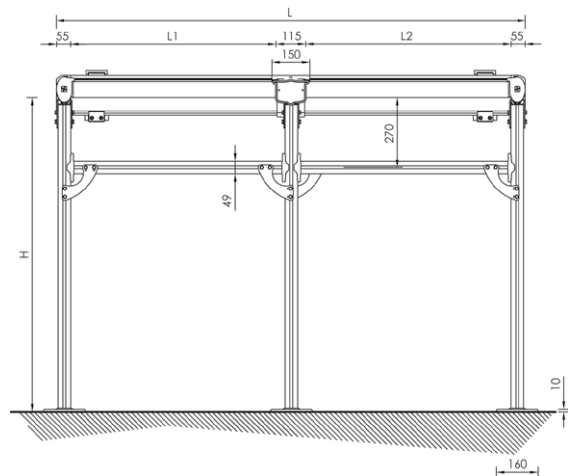
Double module - top view



Side view



Double module - front view



Additional modules can be connected.



DURABILITY AND PRACTICALITY



Screener Veranda

A solid and elegant awning that is designed to be installed onto a veranda or other large vertical or horizontal glazed area.

Precision

The Veranda awning has a specially designed traction bar to guarantee constant fabric tension in any position.

Convenience

The Veranda system ensures efficient air circulation and optimal sun protection which minimises overheating.



Fabric colours

Soltis 92 Colour Range:

Weight:	420 g/sqm
Thickness:	0.45 mm
Roll-width:	177 cm
Tensile Strength (warp/weft):	310/210 daN / 5cm
Tear Resistance (warp/weft):	40/20 daN
Flame Retardancy (warp/weft):	M1/NFP 92-507 • METHOD 1/NFPA 701 • CSFM T19 • CLASS A/ASTM E84 B1/DIN 4102-1 • BS 7837 • BS 5867 • LASSE 1/UNI 9177-87 • M1/UNE 23.727-90 • VKF 5.2/SN 198898 • 1530.3 /AS/NZS 1530.3 • G1/GOST 30244-94
Euroclass:	B-s2,d0/EN 13501-1
Quality Management System:	ISO 9001

The technical data shown here are average values, given for information only, and may be modified.

Serge Ferrari



SOLTIS 92-2046
ALU/OAT



SOLTIS 92-2171
BOULDER



SOLTIS 92-2048
ALU/ALU



SOLTIS 92-2045
BEATEN-METAL



SOLTIS 92-2074
ALU-MEDIUM
GREY



SOLTIS 92-2167
CONCRETE



SOLTIS 92-2047
ANTHRACITE



SOLTIS 92-2053
BLACK





Bioclimatic Pergolas

**Get the best of both worlds!
Enjoy the sun and shelter
from the rain.**

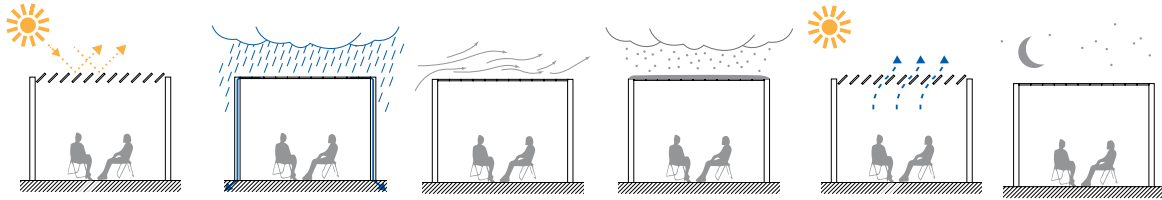
The Pergola Agava SL is an elegant, functional outdoor shade and shelter product, it has a degree of resistance to strong wind. Whether it's freestanding or wall mounted it gives you shelter and shade with a touch of class. Every single shelter is constructed for your specific needs, ensuring you get exactly what you need. And with spans of up to 7m between posts you can be sure of a structure that will be pleasing to any eye.

The rotating blades protect perfectly against the elements, channeling the excess rain water through the insides of the support columns. A quality construction made in accordance to UK Wind and Snow Loadings.



FEATURES / Standard

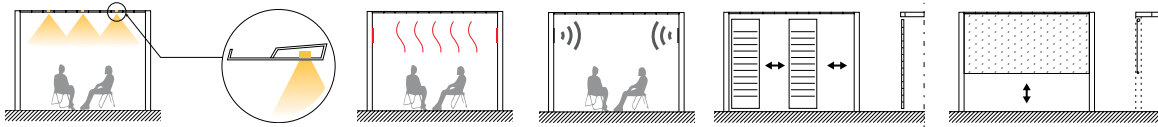
PROTECTION FROM HEAT, RAIN, WIND, COLD AND SNOW.



- Excellent balance of sun and shade.
- Aesthetically pleasing contemporary design with clean lines.
- Exceptionally strong with a long lifespan.
- Invisible mounting.
- Motor incorporated into the frame.
- Easy to assemble.
- Screws and pins in full stainless steel.
- Two system, only 4 aluminium profiles.
- Perfectly adapts to the environment.

PERFECT COMFORT / Options

LED LIGHTS, HEATERS, SOUND SYSTEMS, ALU/WOOD/SCREEN SLIDING PANELS, GLASS SLIDING PANELS, ZIP ROLLER BLINDS



- Numerous additional options.
- LED lights incorporated into the blades.
- Wind, rain, snow and temperature sensors.
- Heaters.
- Sliding panels, ZIP roller blinds.
- Perfectly adapted to your needs.

DISTINCTION

5 YEAR WARRANTY, MADE IN EU, FULLY CERTIFIED

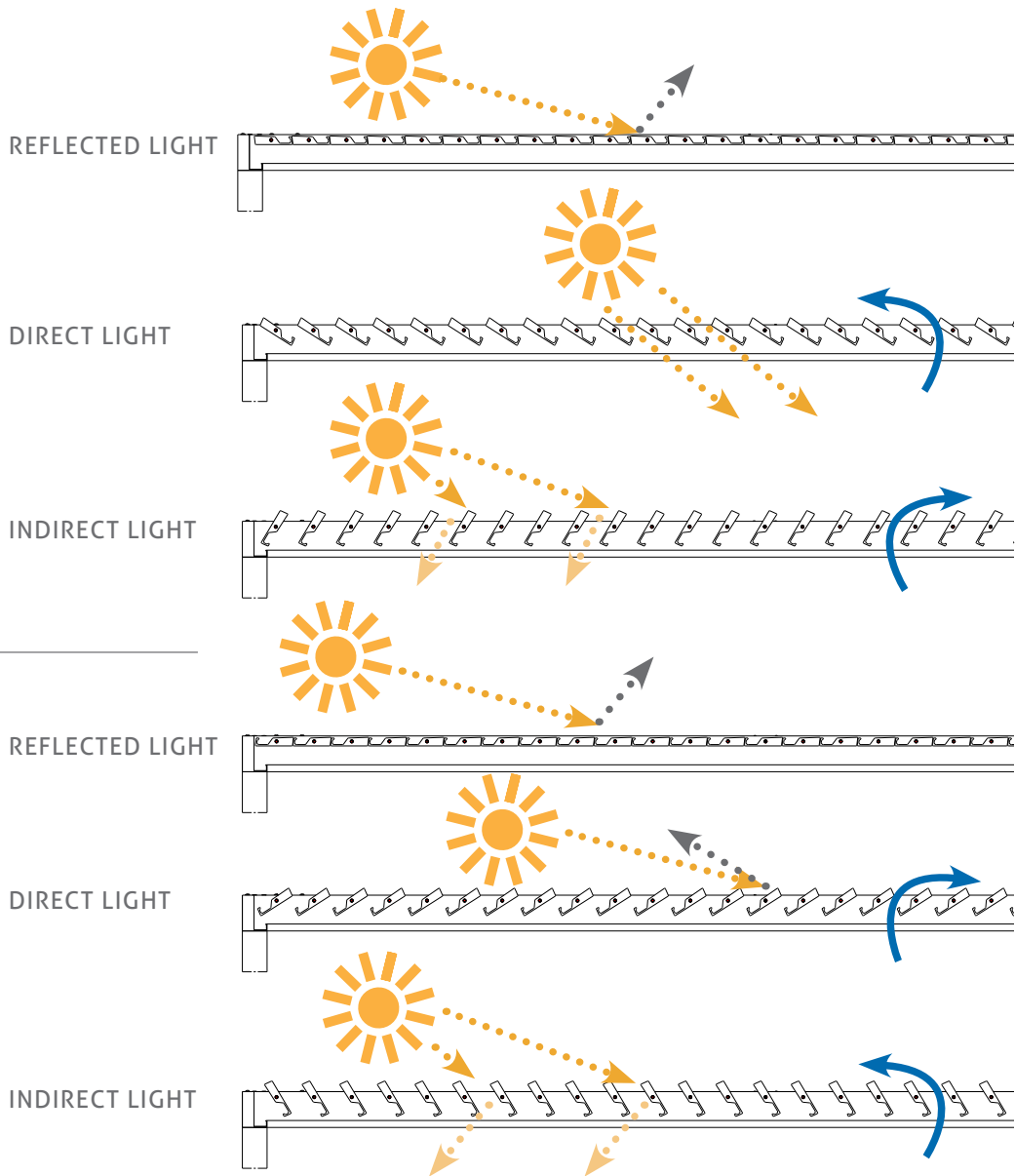


To ensure optimal quality, Pergola Agava is in accordance with the following Eurocode EN standards:

- Eurocode 0: EN 1990: Basis of Structural Design
- Eurocode 1: EN 1991: Actions on structures
 - EN 1991-1-1: General actions - Densities, self-weight, imposed loads for buildings
 - EN 1991-1-3: General actions - Snow loads
 - EN 1991-1-4: General actions - Wind actions
 - EN 1991-1-5: General actions - Thermal actions
- Eurocode 3: EN 1993: Design of steel structures
- Eurocode 8: EN 1998: Design of structures for earthquake resistance
- Eurocode 9: EN 1999: Design of aluminium structures
- Eurocode corresponding national annexes

BLADES OPENING WAY

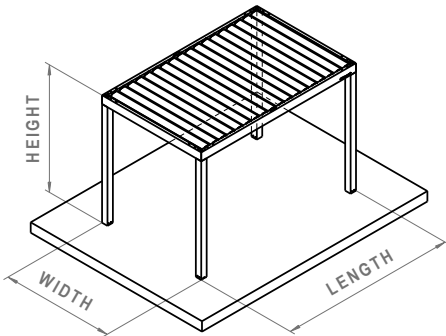
BLADES OPENING WAY: A | BLADES OPENING WAY: B



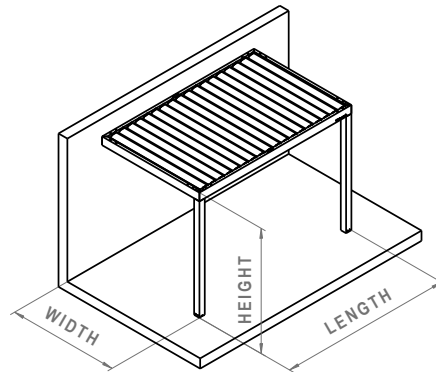
CONFIGURATIONS

PERGOLA Agava SL™

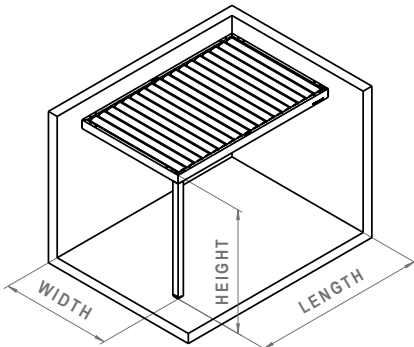
Type 1 - SELF-SUPPORTING



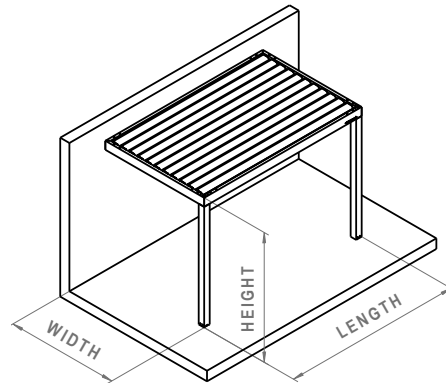
Type 2 - WALL-MOUNTED
BLADES PERPENDICULAR TO WALL



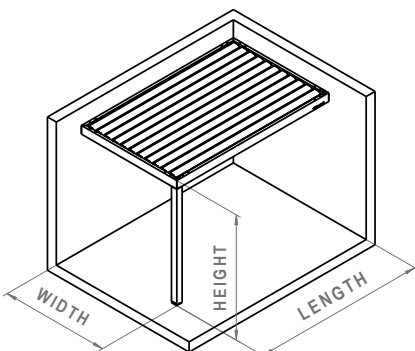
Type 3 - WALL-MOUNTED ON TWO SIDES
BLADES PERPENDICULAR TO WALL



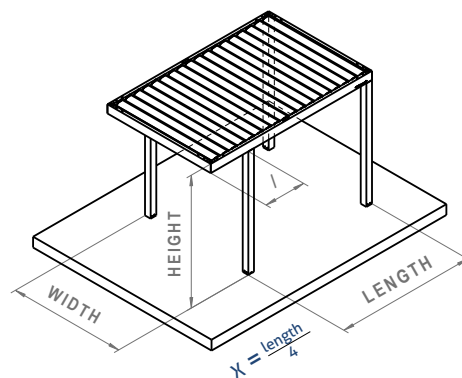
Type 4 - WALL-MOUNTED
BLADES PARALLEL TO WALL



Type 5 - WALL-MOUNTED
BLADES PARALLEL TO WALL



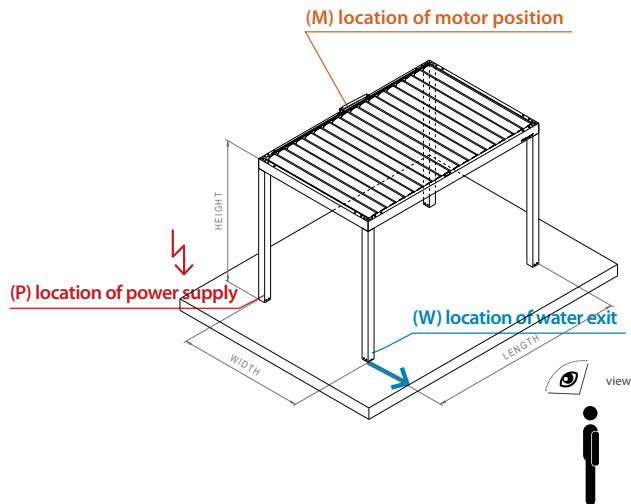
Type 6 - SELF-STANDING
POLES OFF-CENTER



HOW TO UNDERSTAND THE MARKINGS

PERGOLA Agava SL™

Type 1 - SELF-SUPPORTING



Legend of symbols:

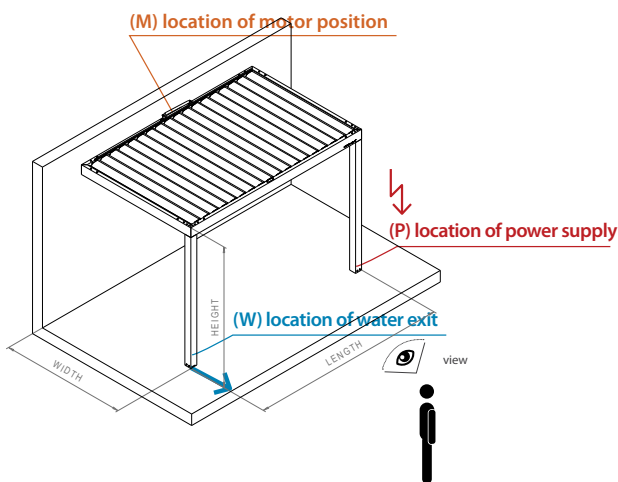
- (M) motor position
- (W) water exit
- ⚡ power supply



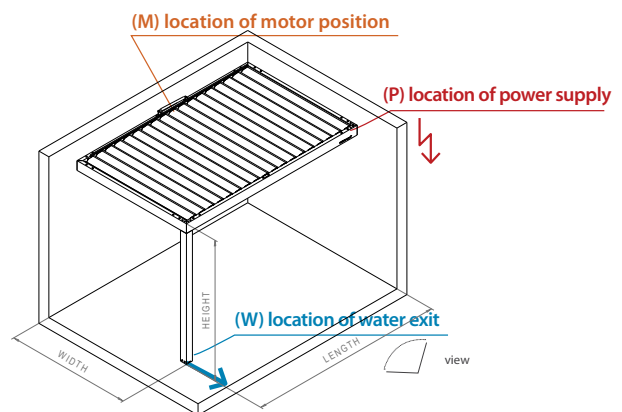
ATTENTION!

- * Water exit not possible on same pole as electricity!
- * Pergola must have min. 2 water exits!

Type 2 - WALL-MOUNTED ON LENGTH SIDE

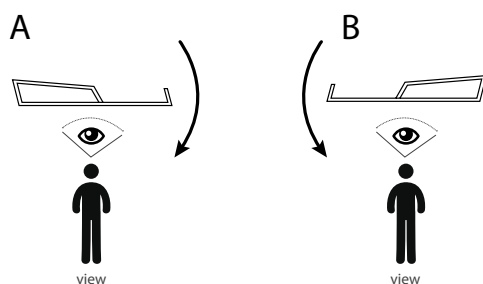


Type 3 - WALL-MOUNTED ON TWO SIDES



BLADE ROTATION

It is possible to choose between two types of blade rotation:



COLOUR

STANDARD

Structure

- grey anthracite RAL 7016
- grey aluminium RAL 9006
- white traffic RAL 9016

Blades

- grey anthracite RAL 7016
- grey aluminium RAL 9006
- white traffic RAL 9016

NON-STANDARD

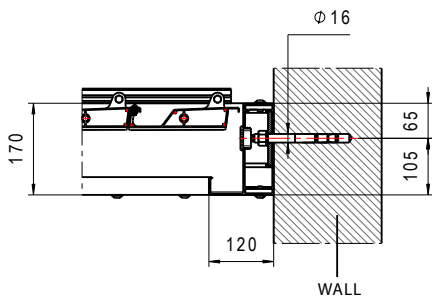
It is also possible to choose a RAL scale shade for structure and/or blades. *subject to additional payment

TECHNICAL DETAILS - MOUNTING

PERGOLA Agava SL™

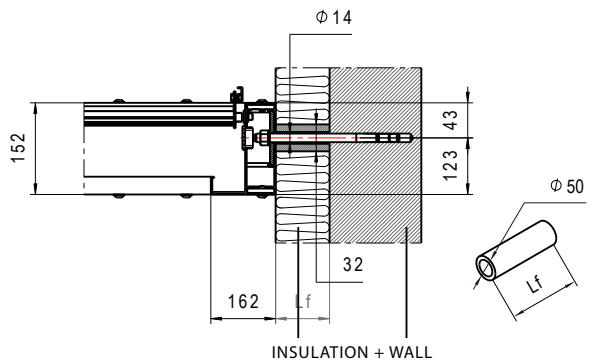
1. WALL MOUNTING

a) STANDARD WALL MOUNTING



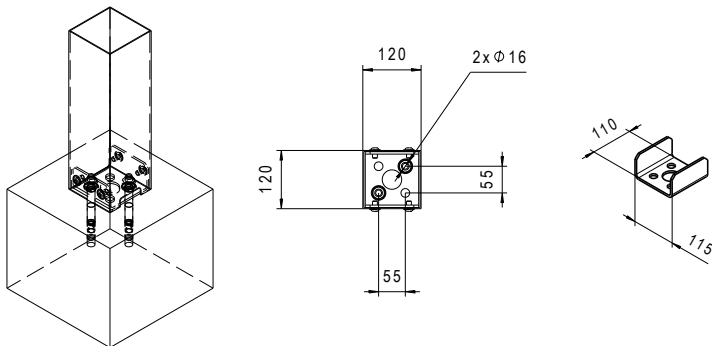
b) OPTIONAL WALL MOUNTING

*Subject to additional payment of 30 EUR/piece



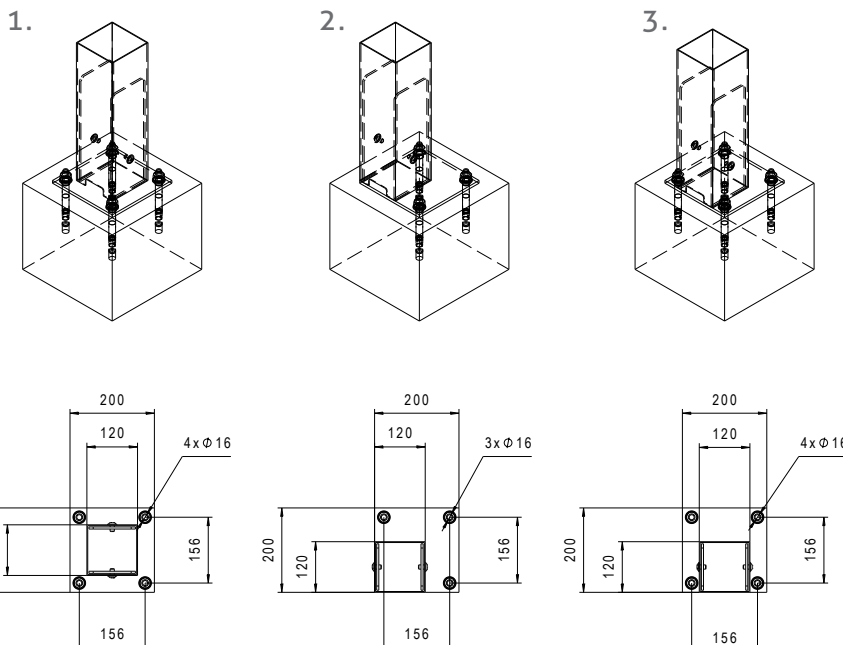
2. FOOT MOUNTING

a) STANDARD FOOT MOUNTING - INTERNAL



b) OPTIONAL FOOT MOUNTING - EXTERNAL

*Subject to additional payment of 70 EUR/pole

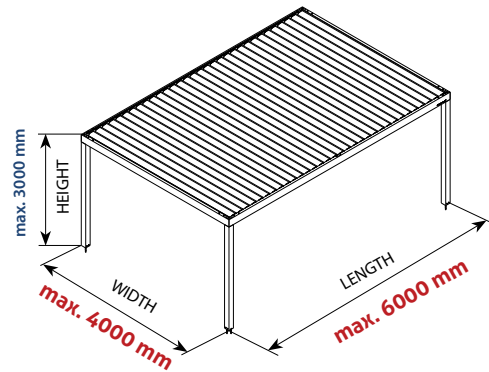


DIMENSIONS AND CHARACTERISTICS

PERGOLA Agava SL™

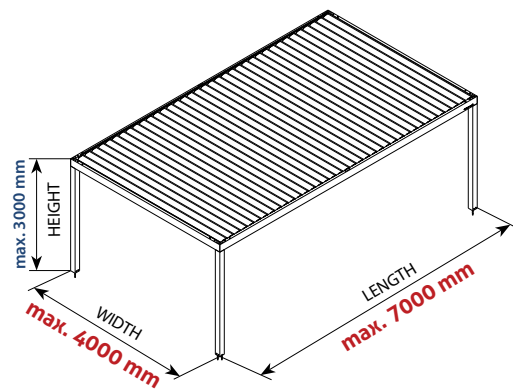
Agava SL 160/28

Blades S	ALU 200/28
Profile	ALU 160/120
Poles	ALU 120/120
Max dimension 1 module	W=4000
	L=6000
	H=3000
Installation - 4 poles	Self standing
Installation - up to 3 poles	Wall mounting
Foot type (page xy)	Internal / external
Water exit (page xy)	Standard / option
N° of water exit	2
Motorisation	1 motor



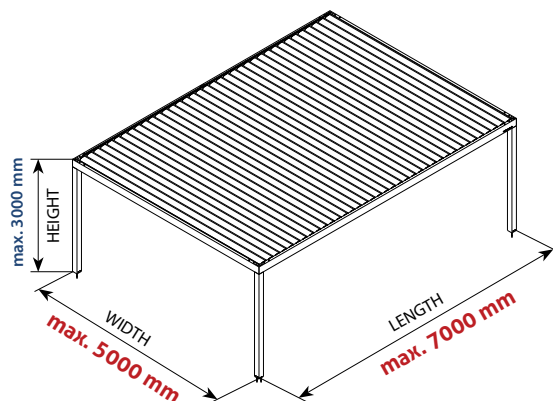
Agava SL 170/28

Blades S	ALU 200/28
Profile	ALU 170/120
Poles	ALU 120/120
Max dimension 1 module	W=4000
	L=7000
	H=3000
Installation - 4 poles	Self standing
Installation - up to 3 poles	Wall mounting
Foot type (page xy)	Internal / external
Water exit (page xy)	Standard / option
N° of water exit	2
Motorisation	1 motor



Agava SL 170/36

Blades L	ALU 200/36
Profile	ALU 170/120
Poles	ALU 120/120
Max dimension 1 module	W=5000
	L=7000
	H=3000
Installation - 4 poles	Self standing
Installation - up to 3 poles	Wall mounting
Foot type (page xy)	Internal / external
Water exit (page xy)	Standard / option
N° of water exit	2
Motorisation	1 motor





pergolas

BIOCLIMATIC PERGOLAS

49



Seamless Integration into *Your Business*



We understand if you are to resell our products, we need to make the integration into your business easy and simple. Otherwise it just won't work!

With that thought in mind we have created all the following material that is immediately available to upload onto your website, or for you to retain for internal use and on-going staff training and development.

Marketing materials

We understand if you are to resell our products, we need to make the integration into your business easy and simple. Otherwise it just won't work!

With that thought in mind we have created all the following literature and online material that is immediately available to upload onto your website, or for you to retain for internal use and on-going staff training and development.



All documents are completely unbranded and are therefore ready to use.

Brochure

A brochure that contains information regarding all structures in our range. It is completely unbranded and has space on the back for you to add your contact details.

Website

We can create a mini website that includes your branding, logo and company info along with details of our products to enable you to either link to this page from your main website or direct customers straight to the website we have created.

Posters

We have a selection of posters (size A2) that advertise our canopies, verandas, carports and glass rooms so you can display them in your showroom instantly.

Data Sheets

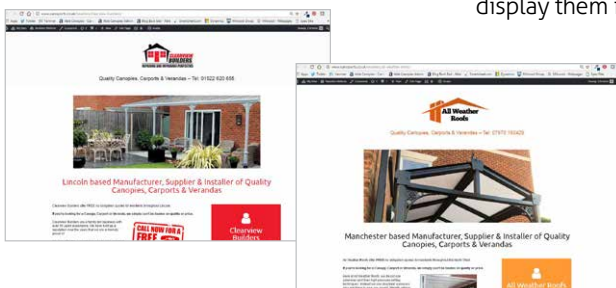
Our data sheets are great documents to hand out to customers for them to take home as they list the main details and specification of our systems along with images. There is also a space on the document for you to add your contact details.

Guarantee Documents

We will supply you with guarantee certificates that contain the conditions of the 10 year guarantee that is supplied with our Simplicity range.

Sales Manual

Our Sales Manual contains all of the information you need to pass onto your customers, use this as a training guide for your Sales staff so they can gain knowledge about our products.



Installation Guides

We can supply you with easy to follow installation guides that are fully illustrated to guide you through the installation process. Don't forget, we also offer free installation training with your first purchase of a Simplicity 35 too.

Technical Loadings Data

Wind and snow calculation documents allow you to ensure the chosen product design is ideal for the area in the UK of your customers.

Case Studies

Information on individual jobs that will allow customers to see the scope of these products.



Sample Box

Terms and Conditions

Standard Terms and Conditions of Purchase – these are also supplied in this pack.

Product Images

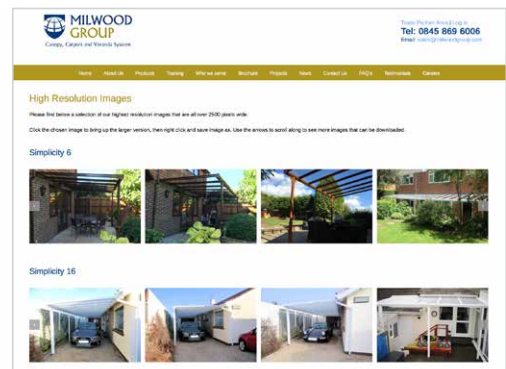
We have a selection of photographs of completed installations of our products that you can add to your website or show/send to your customers. This allows them to see the products in their natural environment.

Price Lists

A quick and easy to read price list that allows you to accurately generate a price for a standard size structure in seconds.

Product Flyers

We have designed a selection of product flyers for each of our systems that are quick and easy to use for any marketing campaign you may have in mind. They're also handy to leave in your showroom for your customers to pick up and take home.



Lead Generation

With our resellers' map that is located on our website, we will automatically pass any leads for your area direct to you via email.

After Sales Pack

A detailed information pack with maintenance information that you can personalise to send out to your customers upon completion of installation to help them to look after their structure over time.

Product Samples

We can provide you with physical samples that customers can 'touch and feel'.

Instant Access to the Above Documents Online

If you have been approved as a reseller, please request a Trade Partner Area password from us and once we have sent you the password, you will have instant access to the above within the Trade Partner Area of our website: www.milwoodgroup.com/trade-partner-area/. We can also send many of the above documents to you via the post.

To request your unique password or to request hard copies of the above documents, please contact us via email: sales@milwoodgroup.com or call us on **0333 305 5272**.

Free Lead Generation

Once you become an approved reseller, a whole host of free resources and online exposure will be available to you. We do not simply expect you to go off and market these products on your own, we offer a number of free services to help you advertise and promote our products whilst also gaining more exposure for your business as a whole.

Google AdWords Campaign

We continually run AdWords (Google Adverts) on the Google search engine which means that when a customer searches for a specific term such as 'aluminium carports' or 'glass verandas', our website will show up as one of the top 3 results. You will be listed on our website and these adverts will therefore generate leads for your company. You can find out more about how you will show up on our website in the sections below.

Please see an example above of how we appear on Google for the search term 'aluminium carports'.

Our website www.canoports.co.uk features an interactive reseller's map that potential customers can use to find a reseller in their area. Each area on the map clicks through to an online form where the customer can fill in their details, which we will then forward onto the reseller/s in their area (i.e. you).

This means that we generate leads for you at no cost to yourself and all you have to do is wait for the leads to roll in and respond to the potential customers.

Complimentary Website

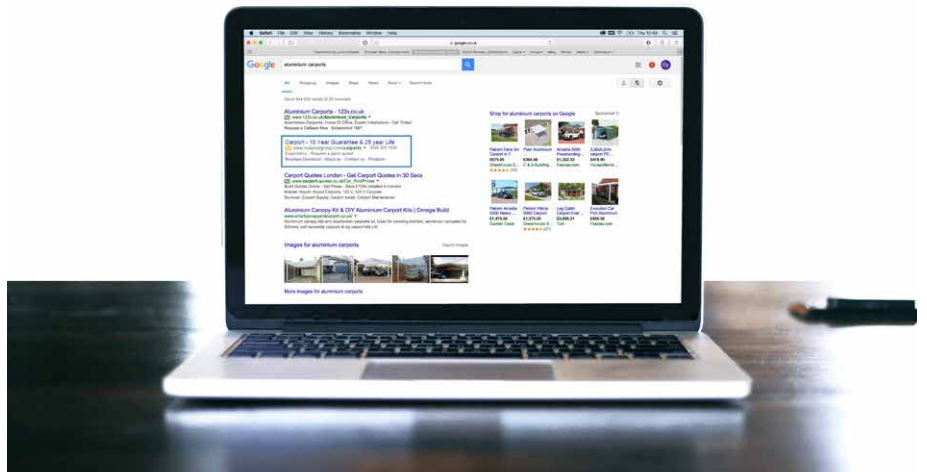
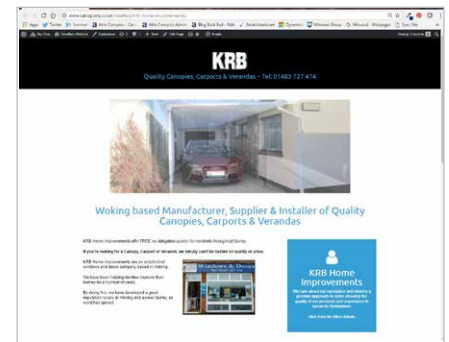
As part of our service to you, once you have become an approved reseller, we will create a personalised website that lists the details and images of our products. We will make sure the website includes your current branding colours, company logo, contact details and company information.

Many of our current resellers use this website alone and direct their customers to it, whilst many others link to it from their main website – saving them the hassle of adding our products to their website themselves.

Please see examples below of previous reseller websites that we have created.

Online Directory

On our website www.canoports.co.uk we also have a directory that you will be added to upon becoming a reseller. This links through to the webpage that we complete for you and to get your company and details onto Google. This also makes it easy for potential customers to find your contact details and enquire about our products as well as other products you may offer.



Technical Data

We supply a detailed selection of technical data to enable your sales team to wow your customers with their knowledge and understanding of our products.

Snow & Wind Calculations

The shade and shelter products within the Simplicity range have been tested to withstand specific wind and snow loadings. The results from these tests have been documented and are available for you to download from the Trade Partner Area. Keeping these documents on hand will enable you to use them as a guide to assess the loading for each installation based on the pertinent factors.

Product Data Sheets

Our data sheets are a great document to hand out to customers for them to take home as they list the main details and specification of our systems along with images. There is also a space on the document for you to add your contact details.

CAD Drawings

Each shade and shelter structure within the Simplicity range has technical CAD drawings which are available to download instantly from the Trade Partner Area on our website.

These technical drawings can be kept on hand to enable you and your staff to understand our structures and their superior quality. They hold specific information such as post and roof bar sizes, roof materials and available spans. You will also be able to see the roof bar and sheet fitting section in detail and the wall plate & roof bar and eaves beam roof bar & post section details.



FRONT VIEW & ROOF TOP VIEW WITH BUILDING

Originator: MILWOOD GROUP					
Customer Reference: Mr Smith	Drawing Title: Trade Fit 4 U	Product Name: Simplicity 6			
Customer Sign:	3rd Angle Projection	Page: 1 OF 5	Date: 23/07/16	Page Size: A4 (L)	Scale: NTS
Order No.:	Finish: PPC	Issuer: ACS	(To): 1 rmm	Sequence: 000001	Revision: V1.4

Finish :

PALLADIO

Palladio is an elegant awning with a cassette, which looks perfectly both as a rolled-up and an unrolled one. A high functionality, user-friendliness, easiness of installation and a neat design are just some advantages of such awning.

STANDARD CONSTRUCTION COLOURS

PRODUCT DIMENSIONS

- Standard: 2000mm (width) x 2000mm (height) x 2000mm (depth)
- Standard: 1.8m, 2.4m, 3.0m, 3.6m, 4.2m, 4.8m

DRIVE

- Motor: 230V/50Hz
- Motor: 230V/50Hz

STANDARD FABRICS (PERI COLLECTION)

- PERI
- SANDATEX
- LAMARTE

CLIPPING OF FABRICS

Clipping of fabrics is done by hand. It is recommended to use a sharp utility knife. The fabric should be cut with a 45-degree angle. This is to prevent the occurrence of fraying and tearing.

VALANCE

Standard valance length: 220mm

Your logo and contact details here

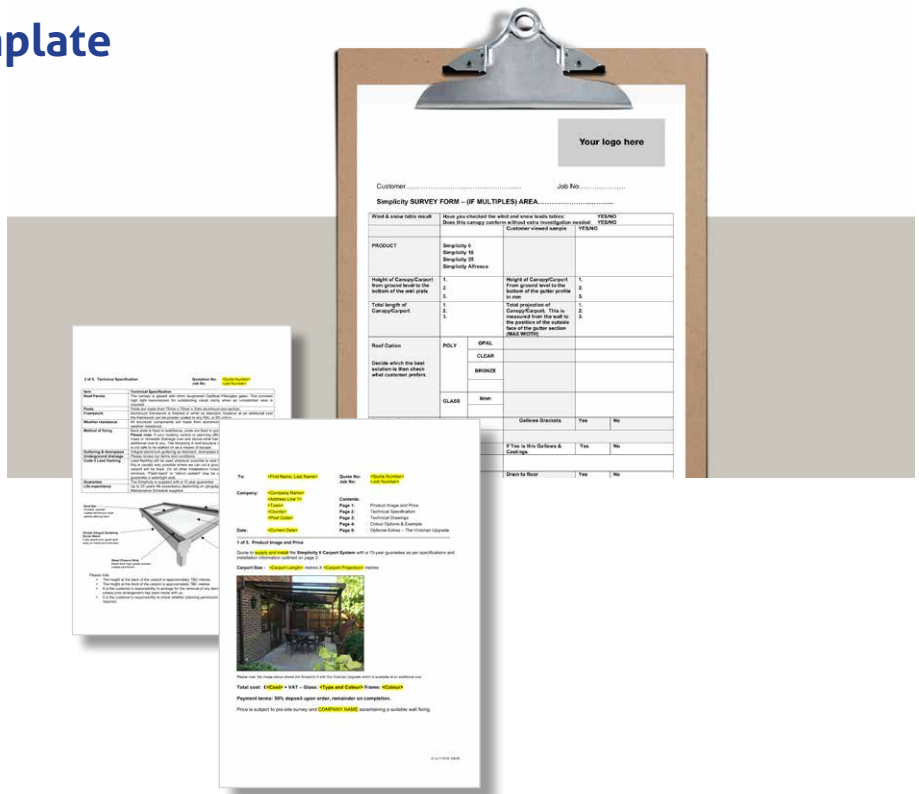
DATA SHEETS ARE AVAILABLE THAT LIST THE MAIN DETAILS AND SPECIFICATIONS.

Survey, Quotation Template and Order Form

We have invested in creating a range of templates so you can save your valuable time and energy, leaving you to get on with running your business.

Our unbranded templates contain all the information you will need to pass onto your customers and more, so you can impress them with the knowledge passed on. There is a template for each product so all you have to do is change the specifications such as size and customer details and you're ready to send the quote – simple as that!

Our order form templates are just as simple to use, again they contain all the information you need, as well as the information we need to process the order, enabling us to get the order ready and shipped to you as quick as possible, which in turn helps you to get the product to your customer on time.



OUR TEMPLATES ARE SIMPLE TO USE AND THEY CONTAIN ALL THE INFORMATION YOU NEED TO PASS ON TO YOUR CUSTOMERS



Case Studies

We have a selection of case studies based on products from the Simplicity range that our resellers have installed and many include testimonials from the end user.

These are available for you to use and pass onto your customers so they can read the process of previous installations so they can get an idea of how their installation will go.

We update our case study collection regularly, so if you would like us to create a case study based on a Simplicity installation that you have completed which we could both use, we would be more than happy to do so.



Guarantee, Terms and After Care Schedule

At Milwood we believe that the after sales care is just as important as the pre-sales and installation service, that's why we have created a selection of aftersales documents that your customers can keep safe and refer to if need be.

It goes through important information such as how to look after their canopy to maintain its appearance. The instructions in this document should be adhered to by the customer in order for the guarantee to stay valid.

Guarantee

The Simplicity carports, canopies and verandas feature impressive 10 year guarantees. We have created the guarantee documents so you can pass them on to your customers, adding your company details if you wish.

Terms and Conditions

You will find all of the information you need regarding our terms and conditions of trading which you can read through in one handy document.

After Sales Schedule

The After Sales Schedule is an important document that must be passed on to your customer for them to keep safe.



OUR CASE STUDIES ARE HELPFUL TO YOUR CUSTOMERS SO THEY CAN SEE PREVIOUS INSTALLATIONS



British Blind and Shutter Association

We are proud members of The British Blind & Shutter Association (BBSA) the only UK trade association for blinds, shutters and associated services.

The British Blind and Shutter Association (BBSA) is the only national trade association for companies that manufacture, supply and install interior and exterior blinds, awnings, security grilles and shutters and associated motor and control systems.

The Association takes a leading role to ensure high standards of product, service and fair trading throughout the trade. Each member must adhere to a Code of Practice and is kept updated with changes to standards, requirements and best practice via regular communications.

The BBSA has been instrumental in leading the campaign for safer window blinds in the UK via its Make It Safe campaign. Milwood Group is pleased to have our already high standards endorsed by our membership of BBSA.

If you are looking for blinds and shutters to control glare, reduce heat, help black out a bedroom or provide a shady haven over your patio it makes sense to talk to experienced professionals like Milwood Group, whose expertise has been independently recognised. As a BBSA member Milwood Group are used to providing advice to homeowners,



as well as architects and specifiers as required, on the best solution for any solar shading problem.

Solar shading is increasingly being used to effectively control the internal environment of homes by helping to reduce heat gain in the summer and heat loss in the winter. Glazing is static whereas blinds are dynamic allowing the occupier to operate the blinds based on the prevailing environmental conditions. As this area of home comfort becomes more sophisticated it makes sense to talk to Milwood Group, a proud BBSA member.

Milwood Group are used to providing advice to homeowners, as well as architects and specifiers as required, on the best solution for any solar shading problem.



A key part of the work undertaken by BBSA is that of safety of products and their use in and around the home. This is communicated via their Make It Safe campaign which promotes window blind safety in all homes, public buildings and other environments where babies and young children may be present.

Window blinds are an increasingly popular form of window dressing with virtually limitless designs, styles, finishes and operating methods. All blinds produced and sold after February 2014 must comply with detailed child safety requirements.

Some existing blinds may have cords or chains to operate the blind which could prove hazardous to babies and young children if they can gain access to the blind. But making existing blinds safer is quick, cheap and easy and the BBSA website explains how.

Elsewhere on their website the BBSA provides information that will be of interest to Milwood Group customers as it explains the options for shade provision outside of the home. This includes awnings and external blinds and the all-important motorisation options that bring convenience of use for home owners. For impartial products explanations and advice, the BBSA is a good starting point.

See: www.bbasa.org.uk



All blinds produced and sold after February 2014 must comply with detailed child safety requirements.

Product Configurator

Product Range →	Simplicity 6	Simplicity 16	Simplicity 35	The Alfresco
All Aluminium System	✓	✓	✓	✓
Maximum Projection	3.1 metres	3.5 metres	6 metres	6 metres
Maximum Length	Unlimited	Unlimited	Unlimited	Unlimited
Roof Panel Material	6mm Toughened Glass	16mm Polycarbonate	35mm Polycarbonate	8mm Toughened Glass
Distance Between Posts	3 metres	3 metres	3.5 metres	6 metres
Internal Downpipes	✓	✗	✗	✓
Available in any Colour	✓	✓	✓	✓
Victorian Upgrade Facility	✓	✓	✓	✗
Heaters available	✓	✓	✓	✓
Lighting Compatible	✓	✗	✓	✓

Product Range →	Awnings	Pergolino	Bioclimatic Pergolas
All Aluminium System	✓	✓	✓
Maximum Projection	3.6 metres	5 metres	5 metres
Maximum Length	7 metres	5 metres	Unlimited
Roof Panel Material	Fabric	Fabric	Aluminium
Distance Between Posts	N/A	5 metres	7 metres
Internal Downpipes	N/A	N/A	✓
Available in any Colour	Frame 3 colours only Fabric multiple colours	Frame 3 colours only Fabric multiple colours	3 colours only
Victorian Upgrade Facility	N/A	N/A	✗
Heaters available	N/A	N/A	✓
Lighting Compatible	✗	✗	✓

Compare the features of our flexible Simplicity Systems and other products to see what matches your customer's requirements for a carport, canopy, veranda, awning or pergolas.



Seamless integration into your business

Verandas, Glass Rooms, Carports, Awnings,
Pergolas and Canopies for the trade



Milwood Group First Floor, South Wing, 1 James Whatman Court, Turkey Mill Business Park
Ashford Road, Maidstone, Kent ME14 5PP
0333 305 5272 | sales@milwoodgroup.com

www.milwoodgroup.com



Milwood Group is a member of the BBSA